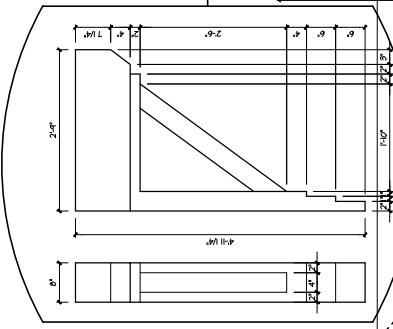
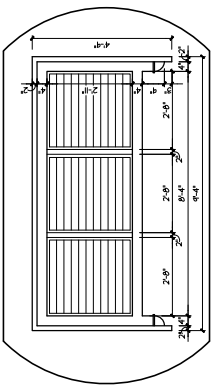


SM. BRACKET DETAIL
SCALE 1" = 1'-0"



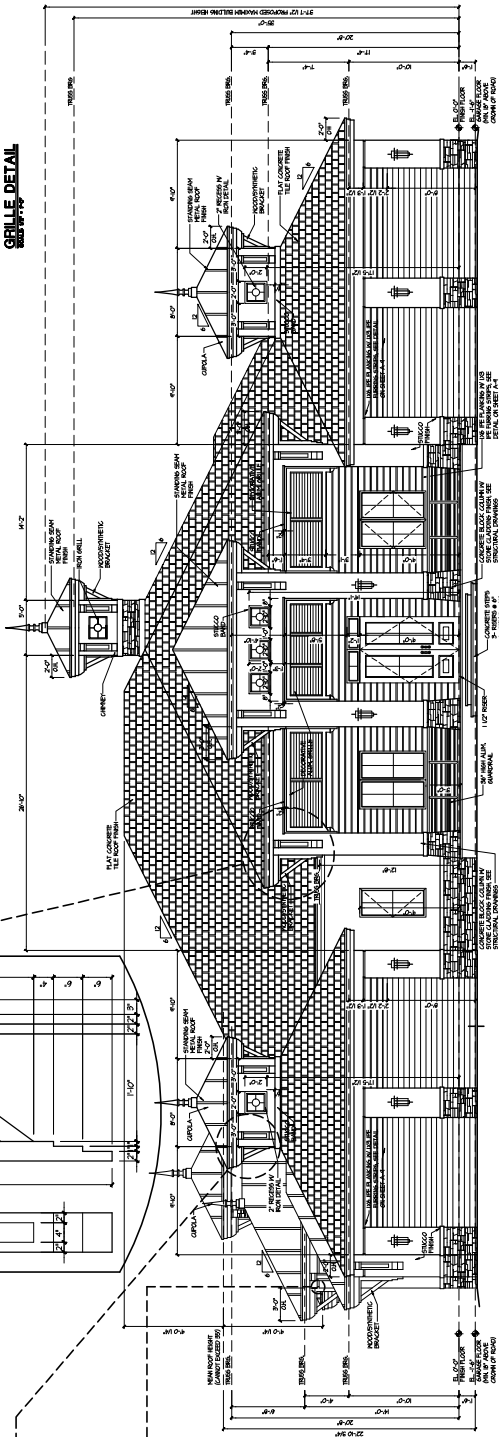
LG. BRACKET DETAIL
SCALE 1" = 1'-0"



GUTTER DETAIL
SCALE 1" = 1'-0"

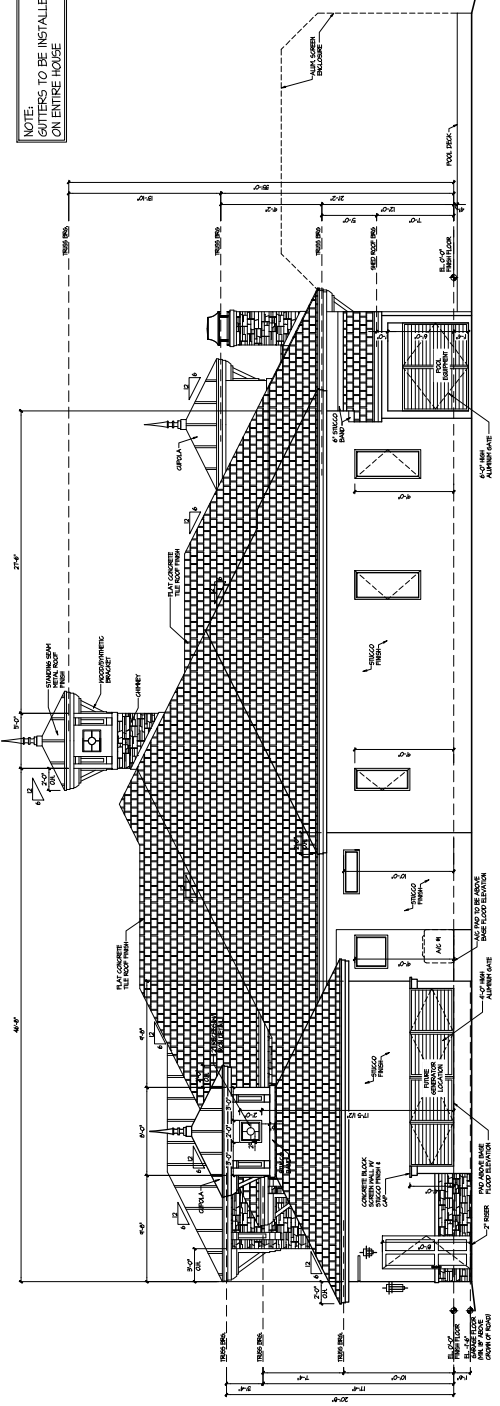


ALUM. CHANNEL
SCALE 1" = 1'-0"



FRONT ELEVATION
SCALE 1/8" = 1'-0"

NOTE: GUTTERS TO BE INSTALLED ON ENTIRE ROOF.



RIGHT SIDE ELEVATION
SCALE 1/8" = 1'-0"